

# Cam-Lok® “J” Power Series

E1016 Series



E1016-8020



E1016-8072

All Cam-Lok part numbers available in convenient, single-use, color-coded packaging. See page 75 for details.

NON-VULCANIZED		MALE PLUG		
COLOR	CABLE SIZE	COMPLETE PART NO.	CONTACT ONLY PART NO.	INSULATOR ONLY PART NO.
BLACK		E1016-8018		A200074-13
RED		E1016-8020		A200074-15
GREEN		E1016-8022		A200074-17
WHITE	#1/0-2/0	E1016-8023		A200074-18
BLUE	HEAVY DUTY	E1016-7704	A200038-11B	A200074-37
BROWN		E1016-7705		A200074-46
ORANGE		E1016-8021		A200074-16
YELLOW		E1016-8019		A200074-14

NON-VULCANIZED		FEMALE PLUG		
COLOR	CABLE SIZE	COMPLETE PART NO.	CONTACT ONLY PART NO.	INSULATOR ONLY PART NO.
BLACK		E1016-8068		A200075-13
RED		E1016-8070		A200075-15
GREEN		E1016-8072		A200075-17
WHITE	#1/0-2/0	E1016-8073		A200075-19
BLUE	HEAVY DUTY	E1016-7720	A200035-17B	A200075-37
BROWN		E1016-7721		A200075-51
ORANGE		E1016-8071		A200075-16
YELLOW		E1016-8069		A200075-14

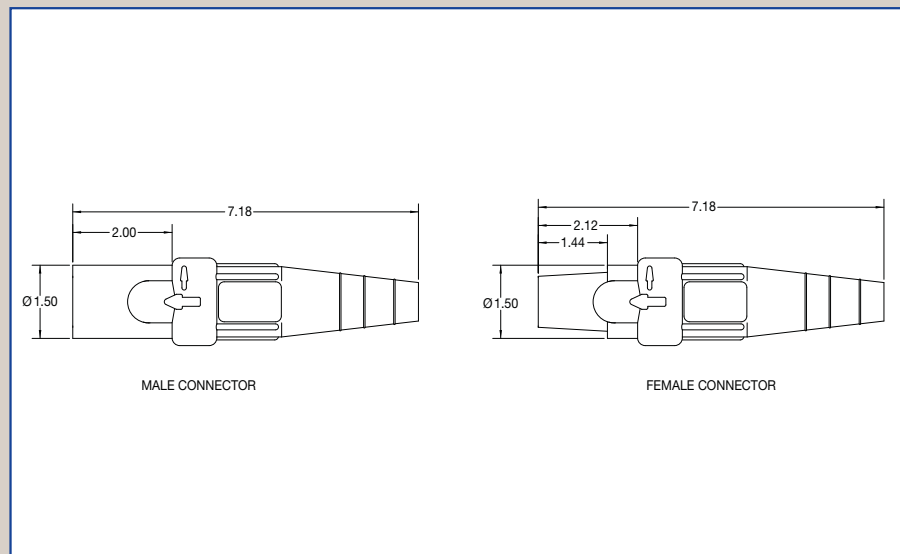
**CAM-LOK “J” POWER SERIES**  
RECEPTACLES AND PLUGS PROVIDE THE MEANS TO QUICKLY CONNECT AND DISCONNECT POWER SYSTEMS SAFELY AT CONCERTS AND CARNIVALS AS WELL AS CONNECTING GENERATORS, STANDBY POWER, AND LOAD TESTING IN HOSPITALS, UTILITIES AND HEAVY INDUSTRIAL ENVIRONMENTS.

**RATINGS: 600 VOLTS UP TO 235 AMPERES CONTINUOUS**

**STANDARD MATERIALS**  
CABLE SIZE: 1/0 - 2/0  
CONNECTOR BODY: TPE  
CONTACT: BRASS

**AGENCY APPROVALS**  
UL LISTED E67181  
CSA CERTIFIED LR13963

**ENVIRONMENTAL RATING: NEMA 3R**



# Cam-Lok® “J” Power Series



All Cam-Lok part numbers available in convenient, single-use, color-coded packaging.  
See page 75 for details.

NON-VULCANIZED		MALE PLUG		
COLOR	CABLE SIZE	COMPLETE PART NO.	CONTACT ONLY PART NO.	INSULATOR ONLY PART NO.
CRIMP	BLACK	E1016-8030		A200074-13
	RED	E1016-8032		A200074-15
	GREEN	E1016-8034		A200074-17
	WHITE	E1016-8035		A200074-18
	BLUE	E1016-7708	A200038-6B	A200074-37
	BROWN	E1016-7709		A200074-46
	ORANGE	E1016-8033		A200074-16
	YELLOW	E1016-8031		A200074-14

NON-VULCANIZED		FEMALE PLUG		
COLOR	CABLE SIZE	COMPLETE PART NO.	CONTACT ONLY PART NO.	INSULATOR ONLY PART NO.
CRIMP	BLACK	E1016-8080		A200075-13
	RED	E1016-8082		A200075-15
	GREEN	E1016-8084		A200075-17
	WHITE	E1016-8085		A200075-18
	BLUE	E1016-7724	A200035-14B	A200075-37
	BROWN	E1016-7725		A200075-51
	ORANGE	E1016-8083		A200075-16
	YELLOW	E1016-8081		A200075-14

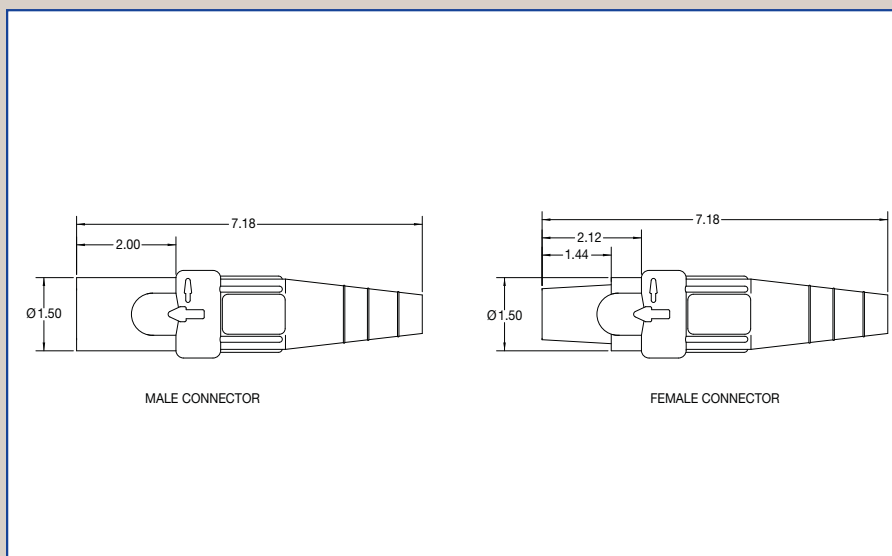


E1016-7724



E1016-8035

E1016 Series



**CAM-LOK “J” POWER SERIES**  
RECEPTACLES AND PLUGS PROVIDE THE MEANS TO QUICKLY CONNECT AND DISCONNECT POWER SYSTEMS SAFELY AT CONCERTS AND CARNIVALS AS WELL AS CONNECTING GENERATORS, STANDBY POWER, AND LOAD TESTING IN HOSPITALS, UTILITIES AND HEAVY INDUSTRIAL ENVIRONMENTS.

**RATINGS: 600 VOLTS UP TO 315 AMPERES CONTINUOUS**

**STANDARD MATERIALS**  
CABLE SIZE: 3/0 - 4/0  
CONNECTOR BODY: TPE  
CONTACT: BRASS

**AGENCY APPROVALS**  
UL LISTED E67181  
CSA CERTIFIED LR13963

**ENVIRONMENTAL RATING: NEMA 3R**

# Cam-Lok® “J” Power Series

E1016 Series



E1016-35



E1016-85

VULCANIZED		MALE PLUG		
COLOR	CABLE SIZE	COMPLETE PART NO.	CONTACT ONLY PART NO.	INSULATOR ONLY PART NO.
BLACK	CRIMP #3/0-4/0	E1016-31		A200706-13
RED		E1016-33		A200706-15
GREEN		E1016-35		A200706-17
WHITE		E1016-36		A200706-18
BLUE		E1016-45	A200038-2	A200706-64
BROWN		E1016-465		A200706-19
ORANGE		E1016-34		A200706-16
YELLOW		E1016-32		A200706-14

VULCANIZED		FEMALE PLUG		
COLOR	CABLE SIZE	COMPLETE PART NO.	CONTACT ONLY PART NO.	INSULATOR ONLY PART NO.
BLACK	CRIMP #3/0-4/0	E1016-80		A200705-13
RED		E1016-82		A200705-15
GREEN		E1016-84		A200705-17
WHITE		E1016-85		A200705-18
BLUE		E1016-94	A200035-2	A200705-65
BROWN		E1016-98		A200705-19
ORANGE		E1016-83		A200705-16
YELLOW		E1016-81		A200705-14

**CAM-LOK “J” POWER SERIES**  
RECEPTACLES AND PLUGS PROVIDE THE MEANS TO QUICKLY CONNECT AND DISCONNECT POWER SYSTEMS SAFELY AT CONCERTS AND CARNIVALS AS WELL AS CONNECTING GENERATORS, STANDBY POWER, AND LOAD TESTING IN HOSPITALS, UTILITIES AND HEAVY INDUSTRIAL ENVIRONMENTS.

**RATINGS: 600 VOLTS UP TO 315 AMPERES CONTINUOUS**

**STANDARD MATERIALS**  
CABLE SIZE: 3/0 – 4/0  
CONNECTOR BODY: SYNTHETIC RUBBER  
CONTACT: BRASS

**AGENCY APPROVALS**  
UL LISTED E67181  
CSA CERTIFIED LR13963

**ENVIRONMENTAL RATING: NEMA 4**

